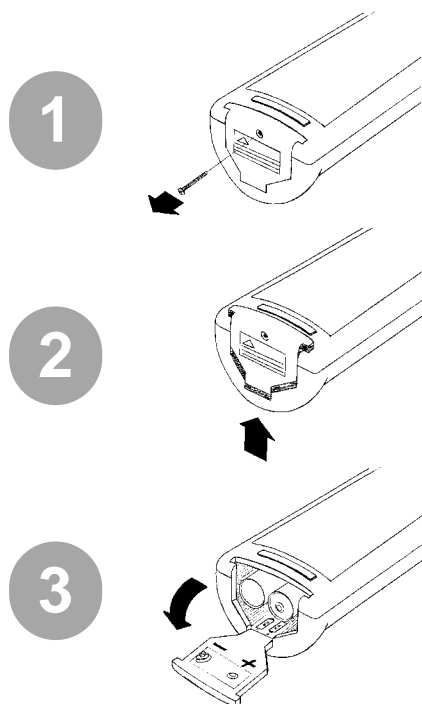


## BATTERY INSTALLATION

This game is powered by two (2) AA (LR06) batteries. For extra long battery life, use alkaline batteries. **DO NOT USE RECHARGEABLE BATTERIES. DO NOT MIX OLD AND NEW BATTERIES. DO NOT MIX ALKALINE, STANDARD (CARBON-ZINC), OR RECHARGEABLE (NICKEL CADMIUM) BATTERIES.**

1. To open the battery cover, remove the screw, slide the cover up and fold it out.
2. Insert two fresh alkaline batteries with the negative (-) ends against the springs.
3. Replace the battery compartment cover.



## MAINTENANCE

- Handle the game carefully.
- Store the game away from dusty or dirty areas.
- Keep the game away from moisture or temperature extremes.
- Do not disassemble the game. If a problem occurs, press the "RESET" key or remove and replace the batteries to reset the computer – or try new batteries. If problems persist, consult your warranty card for replacement instructions.
- Only batteries of the same or equivalent type as recommended are to be used.
- Do not attempt to recharge non-rechargeable batteries.
- Remove any exhausted batteries from the game.
- The supply-terminals are not to be short-circuited.
- Adult supervision is recommended when changing batteries.
- Keep this package because it contains important information.

**RADICA<sup>®</sup>**

**Lake Trout Fishin'**

**MODEL 3732**

3732 MANUAL # P/N 82334320 Rev.A

**NOTE: After removing the game from the package, you need to Exit the Demo mode to play.**

Step 1 — Press "ON" to wake the game from sleep mode.

Step 2 — Press the "GAME" button.

Step 3 — Cast and Reel.

If the game remains in Demo mode, repeat steps 2 and 3.

© 1996 RADICA LTD  
RADICA IS A REGISTERED TRADEMARK  
USED BY RADICA LTD

## STARTING OUT

To start fishing, turn on the unit by pressing the START•ON•CAST button. You are now ready to cast your line and start fishing! **If you want to change the lake, boat location on a lake, or lure, you can only do so while the line is completely reeled in.**

Use the LAKE and BOAT buttons to pick a location to try. The weather and water conditions change randomly each time you change lakes, and sometimes when you change boat locations. With the correct lure, fish can be caught in any weather/water condition.

## SELECTING A LURE

Use the LURE•DRAG button to make your lure selection. Make your lure selection based on the depth of the fish and the weather and water conditions shown on the game's LCD. The LURE CHART to the right will help you decide which lure to try.

## CASTING

To cast, hold down the START•ON•CAST button and make a casting motion with the game. Release the START•ON•CAST button at the end of your casting motion. The LINE OUT meter will show you your casting distance (100 foot maximum).

Now start reeling in the line with the mechanical reel. **GOOD LUCK!**



## GETTING A BITE

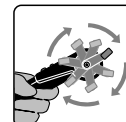
You will have the best chance of getting a bite by controlling your lure depth (with your reeling speed) and



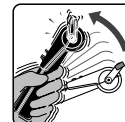
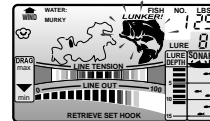
keeping the lure at the level of one of the fish shown on the sonar screen. When you get a fish bite, you will hear a splash, feel the game shake and see a fish flash on the screen! Now set the hook to keep him on the line!

## SETTING THE HOOK

Set the hook by quickly jerking the game backward. **If the game continues to shake and the fish continues to flash on the screen, you have him on the line!** Reel him in!



If the unit does not continue to shake, the fish got away. Keep reeling in your line and try to catch another one. **The larger the fish, the more difficult it is to get the hook set.** If you have a large fish on the line, it may be necessary to adjust your drag while you are reeling.



## ADJUSTING THE DRAG

If you are reeling-in a large fish, keep an eye on the LINE TENSION and LINE OUT displays. You may need to adjust the drag to keep the fish from breaking the line or swimming off with it. **Do not stop reeling while you adjust the drag.**

If the tension level increases outward into the red zones, you will need to adjust the drag down quickly (▽ with the LURE•DRAG button) to avoid breaking the line. If the tension level is very low and your line out is increasing, you will need to adjust the drag up (△) to keep the fish from swimming away with the line. There are 12 drag levels. "MIN" or "MAX" will be displayed at each extreme.

## LANDING THE FISH

You will hear a splash when you get your fish in the boat, the game will display the number and weight of the fish. Pressing the STRINGER button lets you see your collection by number and weight.

## TOURNAMENT PLAY

With the line completely in, press the GAME button to start a tournament. In tournament mode, "TOURNAMENT" is displayed on the screen along with a 15 minute timer. The object is to have 3 fish that weigh the most by the end of the time limit. The game will only allow you to keep 3 fish and the computer throws out the smallest fish as more are caught. You can win the tournament by beating the high score!

(Hint: The wind direction can reveal hot spots!)

## THE LUNKER

Somewhere in the 3 lakes looms a world-record 25-pound Lunker. To catch this big fish, you need some luck and a little practice – but it's quite a thrill to land one!

## LURES

There are no set rules for what lure will catch more fish, but you may want to make note of a few hints:

- Spoons and jigs are better for sunny weather. Spinners and Top Water Crankbaits are better for cloudy weather. Crankbaits are good for any weather.
- With sunny weather and clear water, useful colors include smoke, brown, red, and silver. With cloudy skies and murky water, you might try copper, gold, brown trout or crawfish. Other colors can work fine with any visibility, depending on the kind of lure and its depth. Experiment with different lures with various weather and water conditions and see what works for you.
- The lure depth can be very important. While reeling in, you will be more successful at getting a bite if you maintain your lure at the same level as a fish shown on the sonar screen.
- Most lures will sink when you're not reeling and will rise to various levels according to the reeling speed. The Crankbaits and Top Water Crankbaits are specialty lures and perform a bit differently. The Crankbait floats

at rest but will dive to specific depths while being reeled in. The depth ranges of the crankbaits are: Shallow (1 to 5 feet), Medium (5 to 10 feet), and Deep (10 to 15 feet). The Top Water Crankbaits, a top-water lure is good for fish that are at or near the surface. It will sink at rest, but while being reeled in, it will rise and stay on the surface of the water. The following table is a general guide for when to use each lure:

| #  | LURE                     | DEPTH | WEATHER | WATER |
|----|--------------------------|-------|---------|-------|
| 1  | Metallic Blue            | 1-15  | Sunny   | Murky |
| 2  | Red / White              | 1-15  | Sunny   | Clear |
| 3  | Silver                   | 1-15  | Sunny   | Clear |
| 4  | Gold                     | 1-15  | Sunny   | Murky |
| 5  | Orange Grub              | 5-15  | Sunny   | Murky |
| 6  | Brown Hair               | 5-15  | Sunny   | Clear |
| 7  | Gray Grub                | 5-15  | Sunny   | Clear |
| 8  | White Marabou            | 5-15  | Sunny   | Murky |
| 9  | Silver/White Marabou     | 0-10  | Cloudy  | Clear |
| 10 | Silver/Black Hair        | 0-10  | Cloudy  | Clear |
| 11 | Copper/White Marabou     | 0-10  | Cloudy  | Murky |
| 12 | Gold/Black Hair          | 0-10  | Cloudy  | Murky |
| 13 | Shallow Brown Trout      | 0-5   | Cloudy  | Murky |
| 14 | Medium Crawfish          | 5-10  | Cloudy  | Murky |
| 15 | Medium Silver            | 5-10  | Sunny   | Clear |
| 16 | Black, Silver & Red Shad | 10-15 | Sunny   | Clear |
| 17 | Black/White Shad         | 0     | Cloudy  | Clear |
| 18 | Gold Shad                | 0     | Cloudy  | Clear |

## BUTTON FUNCTIONS

**START•ON•CAST** Turns the unit on and starts a game. Hold this button down and use a casting motion to cast the line. Release this button at the end of the casting motion. For automatic retrieval, press to retrieve the line quickly when the line is out (only when there is *not* a fish on the line).

**LURE•DRAG** When the line is reeled in, use this button to choose a lure. When the line is in the water, use it to adjust the drag (if necessary).

**LAKE** Toggles through the 3 lakes.

**BOAT** Moves the boat around the lake to different locations.

**STRINGER** Lets you view previously caught fish from the current game.

**GAME** Toggles between leisure fishing and tournament play. (When the line is reeled in). In tournament mode, "TOURNAMENT" is displayed on the screen along with a 15 minute timer.

**BEST CATCH** Shows your biggest fish ever caught (in regular mode) or your top weight of 3 fish (in tournament mode).

**SOUND** Turns the sound ON or OFF.

**RESET** Restarts the computer and erases all stored scores.